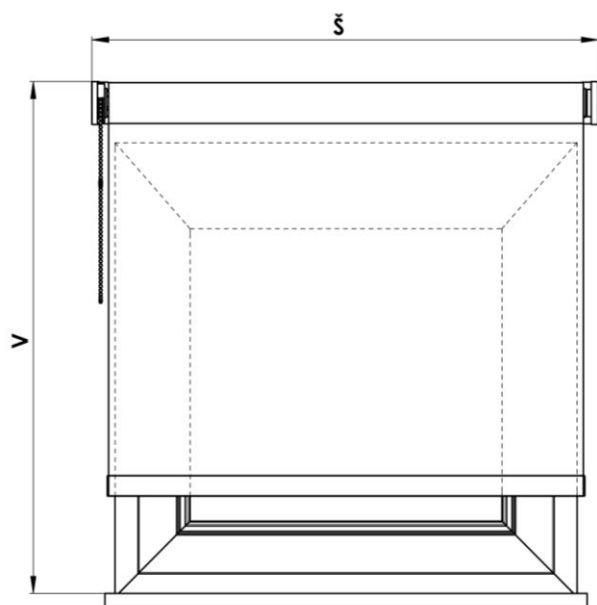


# VERRA, VERRA METAL, VERRA SEMI FABRIC ROLLER BLIND

## 1. MEASUREMENT



The blind can be positioned into or in front of the hole (on the ceiling or the wall).

THE WIDTH AND HEIGHT ARE MEASURED IN THE FOLLOWING MANNER:

Š... (width)

### a) fitting into the hole

The real width of the hole is measured, the value less than 5 mm than the real width of the hole is recorded in the order sheet.

### b) fixation on the hole

The width greater than the real width of the hole by 200 mm is written into the order sheet.

V .... (height)

The total height, including the upper profile, is measured.

**Verra, Verra Metal, Verra Semi standard dimensions**

Fabrics weighing up to 170 g/m <sup>2</sup>	Min. width (mm)	Max. width (mm)	Max. height (mm)	Max. area (m <sup>2</sup> )
tube 28	300	2000	3000	6
tube 42	700	3000	3920	11,8
tube 50	700	3500	5000	17,5

Fabrics weighing 171g/ m <sup>2</sup> – 260 g/ m <sup>2</sup>	Min. width (mm)	Max. width (mm)	Max. height (mm)	Max. area (m <sup>2</sup> )
tube 28	300	2000	2200	4,4
tube 42	700	3000	2560	7,7
tube 50	700	3500	3960	13,9

Fabrics weighing 261/ m <sup>2</sup> – 365 g/ m <sup>2</sup>	Min. width (mm)	Max. width (mm)	Max. height (mm)	Max. area (m <sup>2</sup> )
tube 28	300	2000	1570	3,14
tube 42	700	3000	1830	5,5
tube 50	700	3500	2820	9,9

Fabrics DAY/NIGHT	Min. width (mm)	Max. width (mm)	Max. height (mm)	Max. area (m <sup>2</sup> )
tube 28	300	2000	2000*/1400**	3,6*/2,5**
tube 42	700	2200	2500	5,5
tube 50	700	2200	2500	5,5

\* thickness of fabric =< 0,35 mm (fabric CORFU 110g/m<sup>2</sup>);

\*\* thickness of fabric =< 0,55 mm (fabric CYPRUS 167g/m<sup>2</sup>)

**ADDITIONAL INFORMATION**

Determination of the maximum roller blind dimensions (width, height, area) depends on the type of fabric used (or on its weight and dimensions).

The exact guaranteed limit dimensions for each type of fabric (by weight) can be found in the detailed table attached to the order form.

Control length: Unless stated in the order otherwise, 2/3 of the height of the blind is selected as the standard variant.

The control length is equal to the desired height of roller blind for DAY/NIGHT fabrics.

**Informative:**

**Calculation of the actual fabric width versus the total width of the roller blind:**

	Verra	Verra with fabric day/night	Verra Metal	Verra Metal motor	Verra Semi	Verra Semi with fabric day/night
<b>tube 28</b>	width – 33 mm	width – 40 mm	width – 40 mm	width – 40 mm	width – 33 mm	width – 40 mm
<b>tube 42</b>	width – 35 mm	width – 42 mm	width – 42 mm	width – 46 mm	-	-
<b>tube 50</b>	width – 35 mm	width – 42 mm	width – 42 mm	width – 46 mm	-	-

## 2. ASSEMBLY

Assemble exactly according to this manual to prevent redundant assembly errors and other related problems.

**AIDS FOR ASSEMBLY:**

- tape measure
- spirit level
- electric drill as per the source material
- cordless electric drill
- magnetic adapter, bits PZ2
- hammer
- screws, dowels

**INSPECTION:**

- Before assembly we recommend inspecting all the parts after the delivery of the goods to prevent any problems. Any defects or comments concerning the assembly or blinds must be notified to the manufacturer.

**ASSEMBLY**

- Check that the dimensions of the blind correspond to the width of the hole.
- Mark the place for the fixation of the side assembly consoles of the plastic parts of the blind (two anchoring places per one part).
- Attach the side brackets by connecting elements and firmly tighten so that the outer distance between the brackets is the required width of the roller blind.

- To the assembled brackets on the side without the control mechanism, insert the tube pin of the roller blind (for Verra with marking plastic, for Verra Metal with marking metal).
- Insert the tube with the fabric aside without the control mechanism on the inserted pin, and then insert the side with control mechanism into the bracket before we hear the click (be careful about the metal / plastic orientation).
- Fit the bracket caps depending on the roller blind type (Verra – plastic cap, Verra Metal – metal cap).
- Set the lower end position using the second chain joint.
- Check the roller blind function and the brake operation.

**ASSEMBLY WITH THE MOUNTING PROFILE:**

For the Verra and Verra Metal roller blinds with the mounting profile, the roller blind is delivered in assembled condition from the producer. During the actual assembly, it is only necessary to place mounting clips (into which the roller blind itself clicks) on the wall or ceiling, at the proper distance, into which the roller blind itself clicks. After that, it is only left to check the lower end position and the total functionality of the roller blind.

**ATTENTION!**

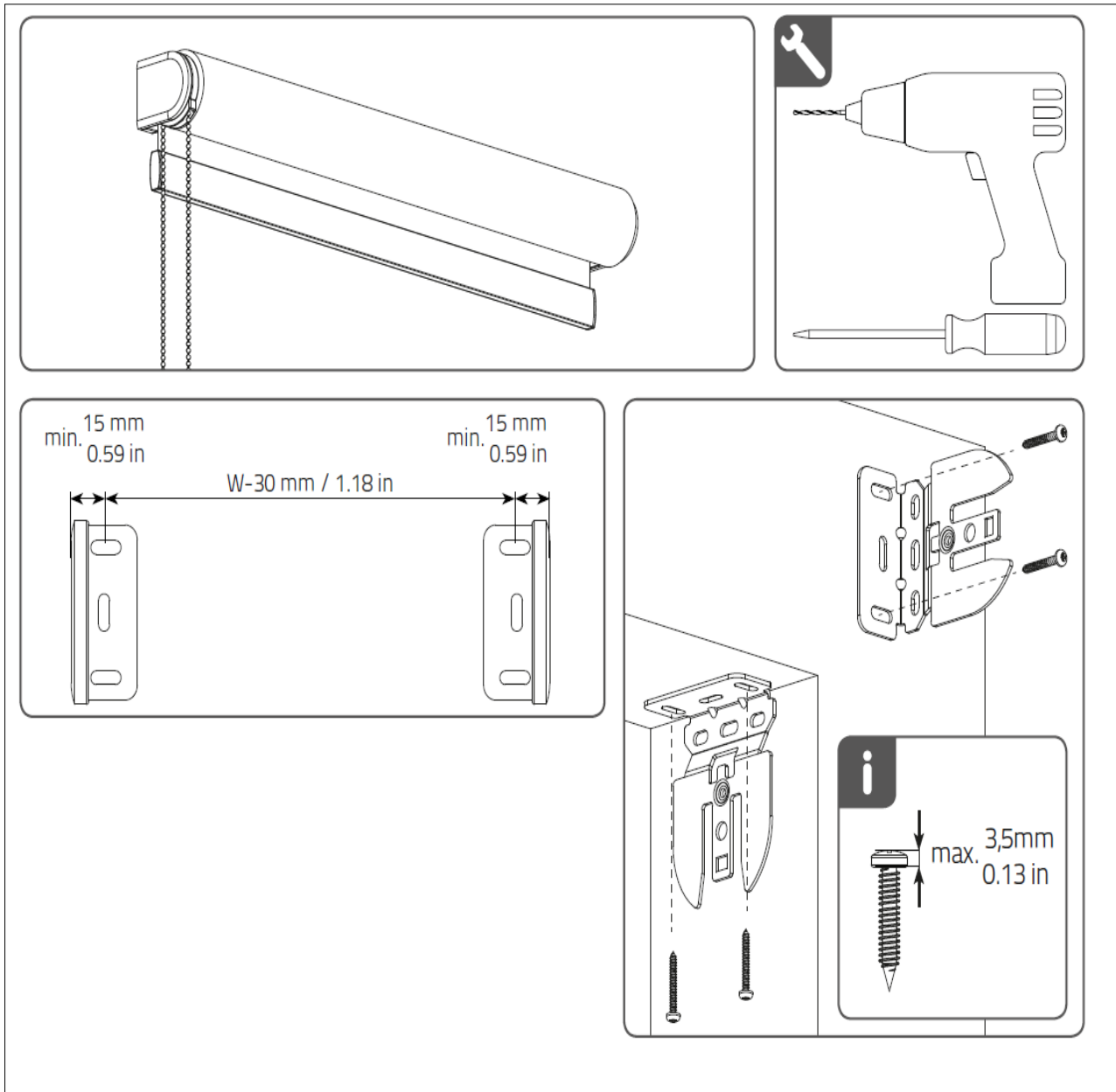
FOR VERRA METAL ROLLER BLIND WITH FABRIC DAY/NIGHT THE ROLLER BLIND IS PROVIDED WITH THE MOUNTING PROFILE WITH THE MOUNTING CLIPS.

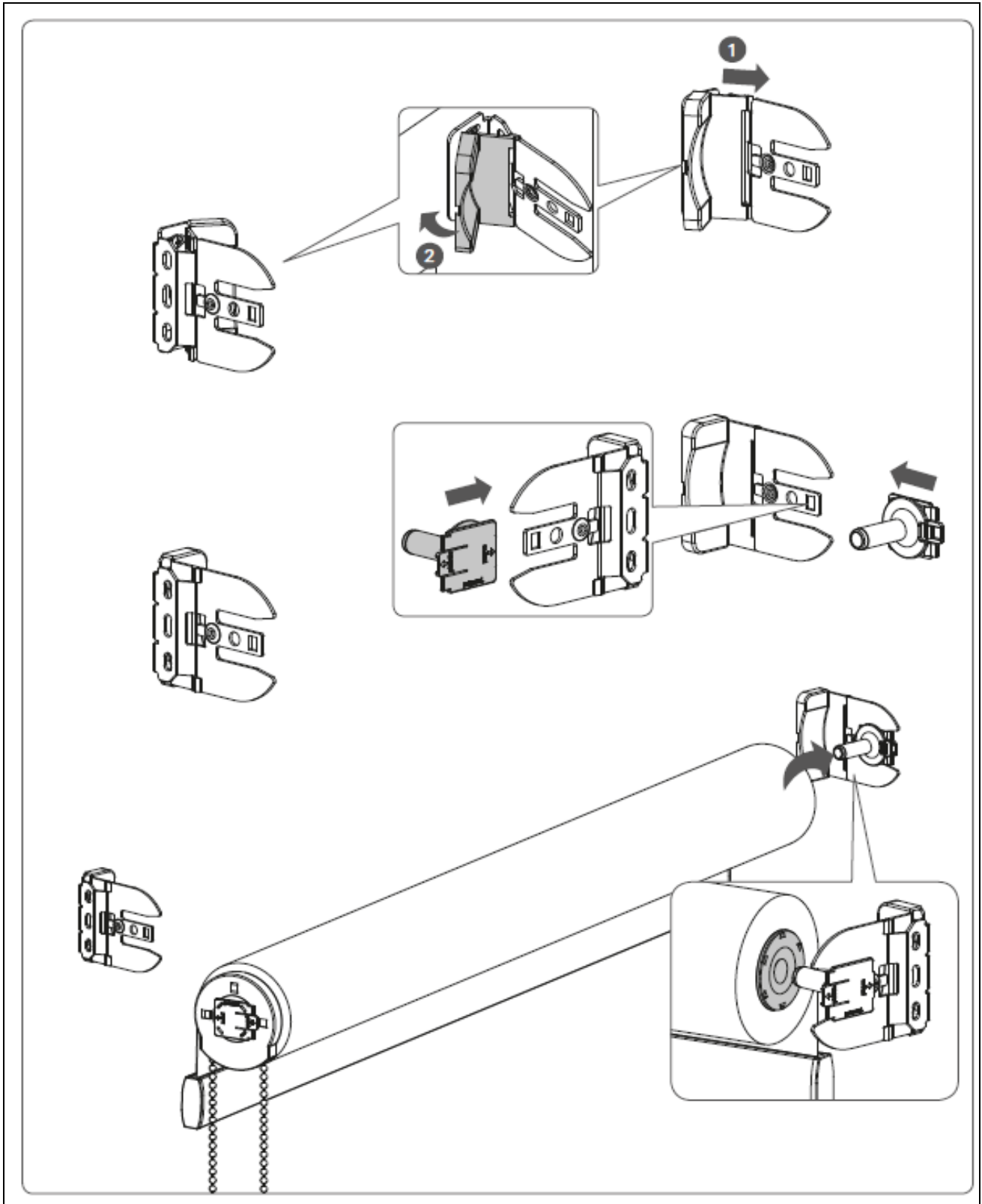
**NUMBER OF THE CLIPS:**

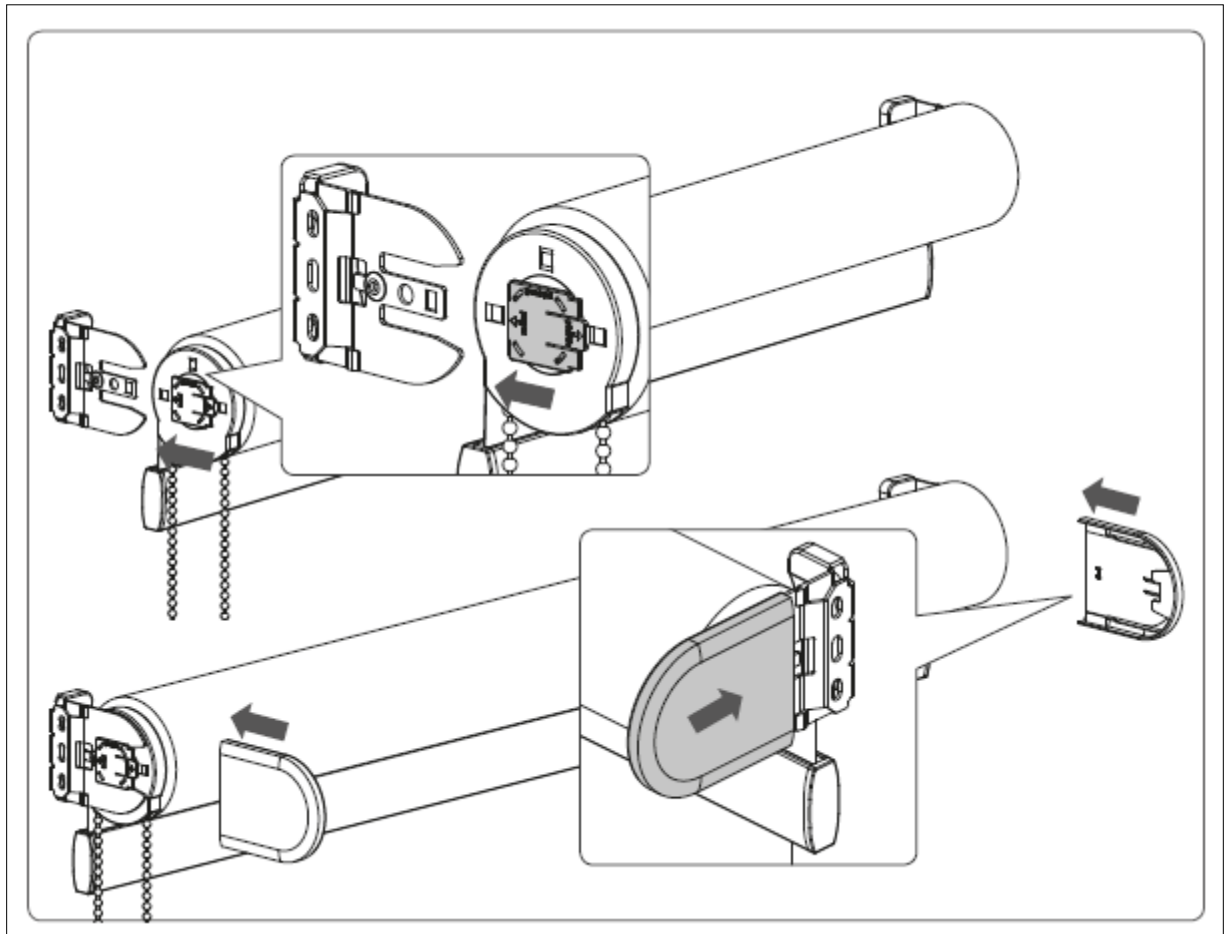
<b>Roller blind width (mm)</b>	<b>Clips number (pc)</b>
0 – 900	2
900 – 1600	3
1600 - 2200	4

The first clip must be always placed at a distance 40 – 50 mm from the edge of the roller blind.

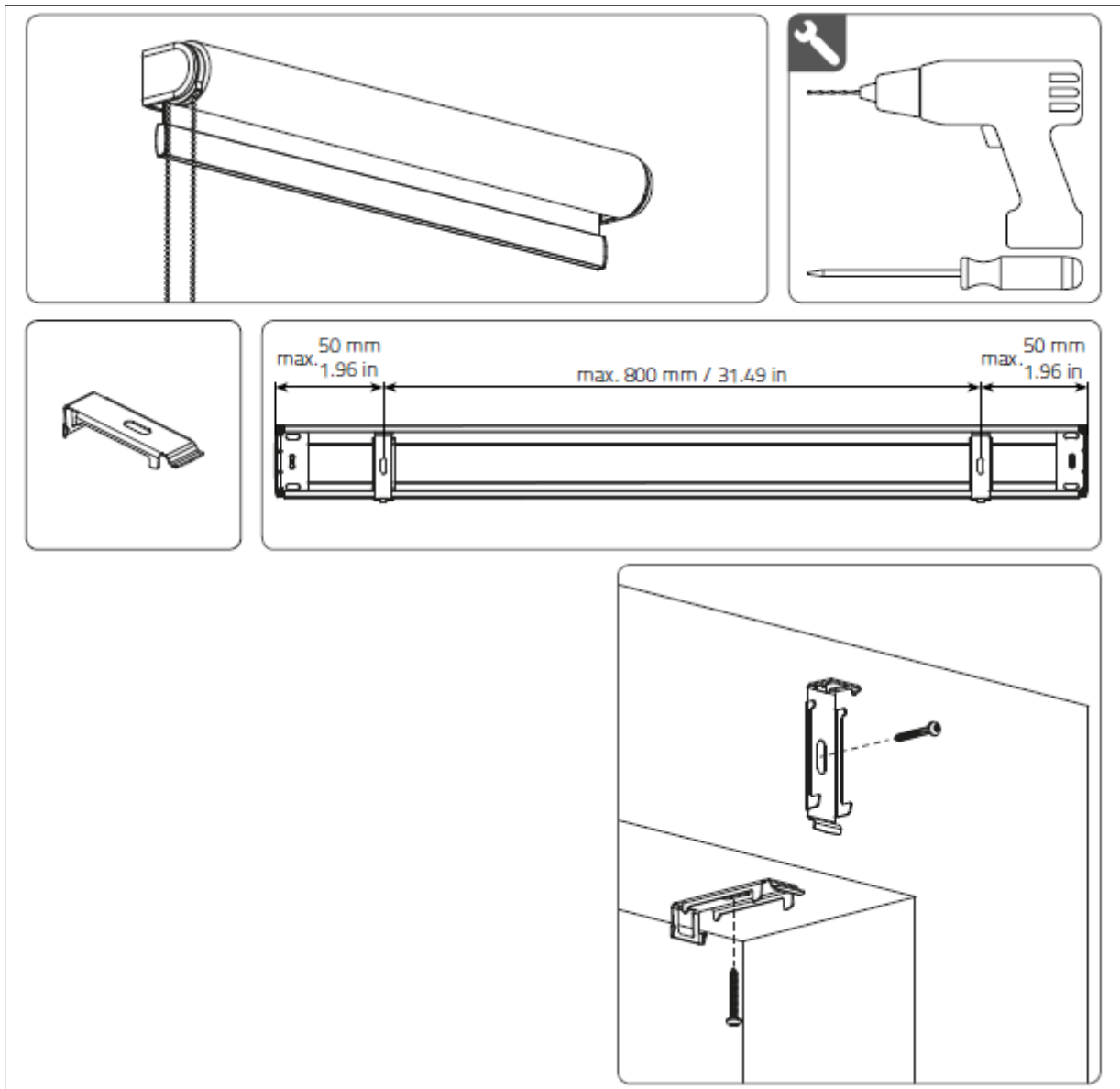
ASSEMBLY:



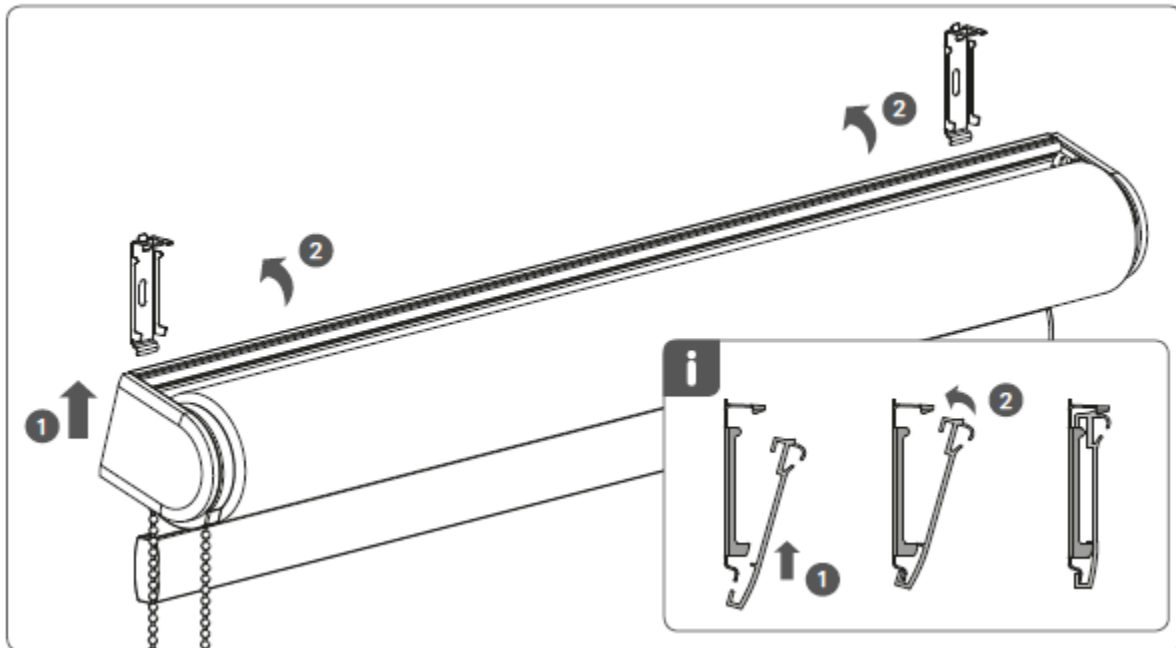




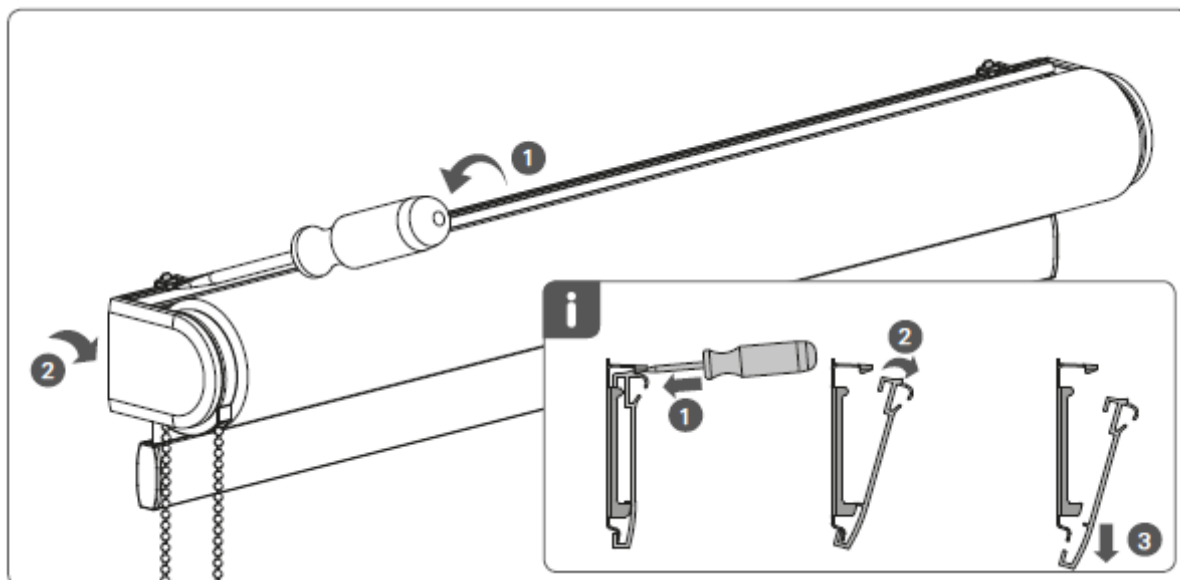
## ASSEMBLY WITH THE MOUNTING PROFILE:

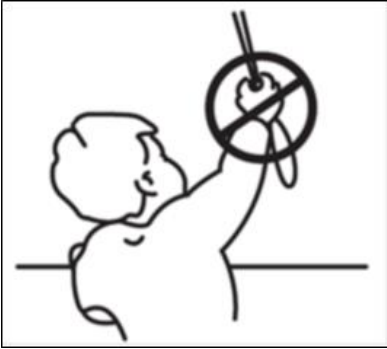






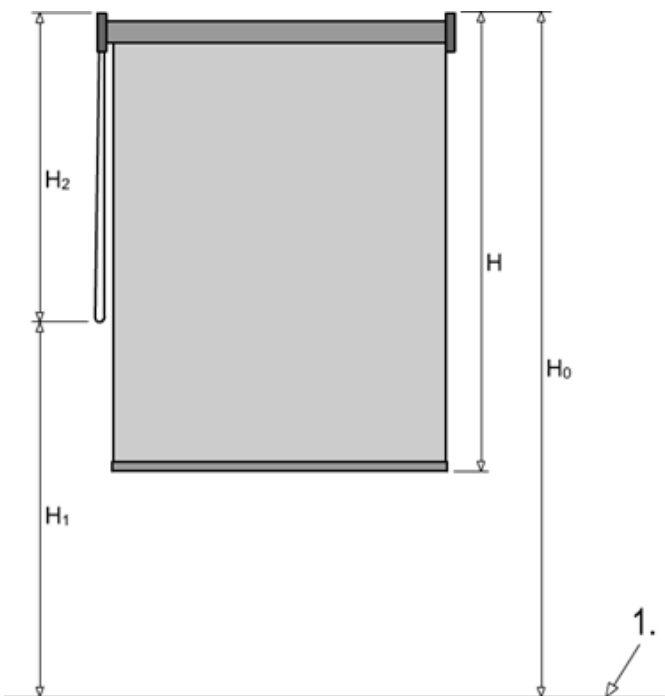
Disassembly:





ATTENTION!!!

Pursuant to the EN 13120:2014 standard, window blinds shall be installed in accordance with the following instructions:



In the case of a disintegrating coupling, the chain length must be limited as follows.

- 1) If assembly height ( $H_0$ ) is not specified, the chain length ( $H_2$ ) shall be less than or equal to  $2/3$  of the blind height (see Fig. 1):  $H_2 \leq 2/3 H$ .
- 2) If assembly height ( $H_0$ ) is specified, the distance from the floor to the bottom part of the pull cord ( $H_1$ ) shall be at least 0.6 m:  $H_1 > 0.6 \text{ m}$ .

A dangerous loop must be eliminated when a mass of 6 kg is applied or within 5 seconds of application.



If the winch is used, the roller blind must meet below mentioned requirements.

In the fully extended position, the length of the cord (cords) must be limited (the winch must be positioned as follows):

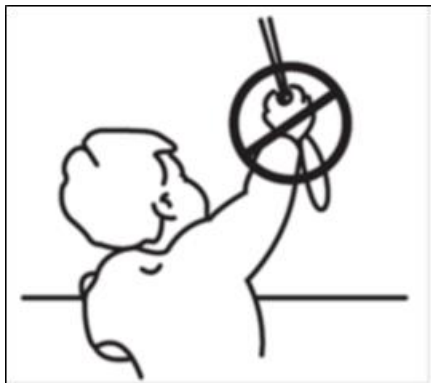
If the assembly height  $H_0$  is not specified, and

i) if the aperture height  $H$  is less than or equal to 2,5 m, the length of the cord (cords)  $H_2$  must be less than or equal to (see picture):  $H_2 \leq 1$  m.

ii) if the roller blind height  $H$  is greater than or equal to 2,5 m, the length of the cord (cords)  $H_2$  must be less than or equal to the screen height minus 1,5 m (see picture):  $H_2 \leq H - 1,5$  m.

If the assembly height  $H_0$  is specified, the distance from the floor to the bottom of the cord (cords)  $H_1$  must be at least 1,5 m (see picture):  $H_1 > 1,5$  m.

## ASSEMBLY WITHOUT ASSEMBLY PROFILE, WITH CABLE:



## WARNING

- Young children can strangle in the loop of pull cords, chains and tapes and cords that operate window coverings.
- To avoid strangulation and entanglement, keep cords out of the reach of young children.
- Cords may become wrapped around a child's neck. Move beds, cots and furniture away from window covering cords.
- Do not tie cords together. Make sure cords do not twist together and form a loop.

